

DAKOTA™ 310 TURF TENDER ILLUSTRATED PARTS MANUAL



INTRODUCTION

To ensure optimum performance and safety, always purchase genuine **DAKOTA** replacement parts and accessories. NEVER USE “WILL-FIT” REPLACEMENT PARTS AND ACCESSORIES MADE BY OTHER MANUFACTURERS. Using either inappropriate or unapproved replacement parts and accessories may result in progressive damage to the Turf Tender and voids the warranty of the **DAKOTA** Turf Tender.

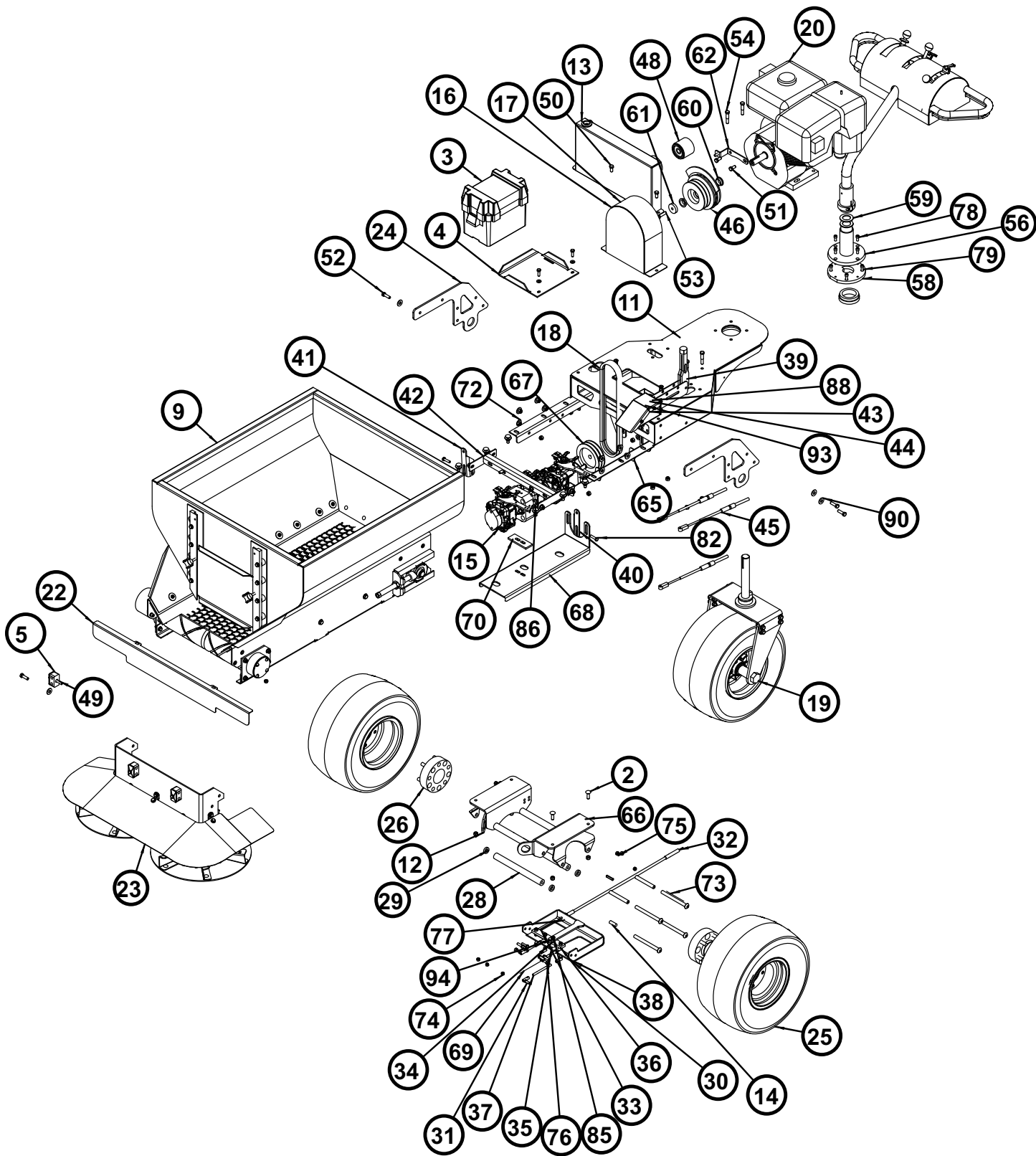
This manual provides a listing to the parts and assemblies that are available as replacement parts. For the most part, common hardware is not listed in this manual. Be sure, however, that when replacement of hardware is necessary, to replace with the same length, diameter, and grade.

The illustrations used in this Parts manual are for reference to replacement parts only. This manual is not to be used for assembly. If in need of replacement parts or in need of a replacement part not called out in this manual, contact an authorized Dakota dealer. To locate a local dealer, go to www.dakotapeat.com.

TABLE OF CONTENTS

INTRODUCTION	2
FULL MACHINE	4
FULL MACHINE	5
STEERING/ CONTROLS	6
FRONT AXLE	7
FRAME	8
REAR AXLE	9
VALVE AND PUMP	10
HOPPER	11
PAN AND BELT	12
ROLLERS	13
REAR WIPER	14
SPINNERS	15
ELECTRICAL SCHEMATIC	16

FULL MACHINE



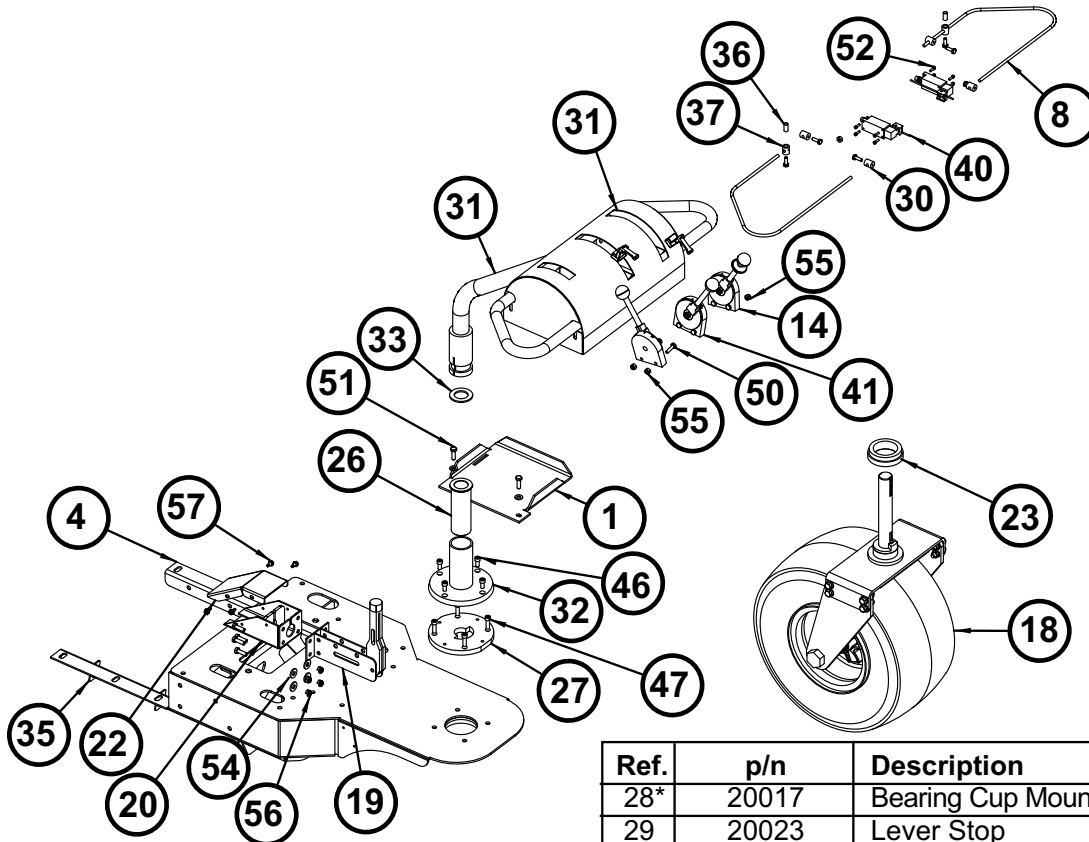
FULL MACHINE

Ref.	p/n	Description
1*	10C0512	Carriage Bolt
2	10C0620	Carriage Bolt
3	11611	Battery Box
4	11621	Bracket
5	12573	Clamp
6*	12574	Clamp
7*	12574	Clamp
8*	16724	Rivnut
9	18431	Hopper
10*	18462	Control Handle Assy
11	18484	Frame
12	18527-1	Motor Mount
13	18611	Plate
14	18736	Axle
15	18737	Pump
16	18799	Plate
17	18800	Pulley Shield
18	18801	Belt
19	19564	Front Caster Assy
20	19595	Honda Engine
21*	19599	Lug Nut
22	19606	Deflector
23	19620	Spinner Assy
24	19628	Brace
25	19641	Wheel And Tire Assy
26	19680	Hub
27*	19681-3	Bracket
28	19684	Tube
29	19685	Spacer
30	19696	Pivot Plate
31	19704	Ball Joint
32	19705	Brake Cable Housing
33	19706	Brake Cable
34	19708	Plate
35	19709	Spacer
36	19713	Cam
37	19744	Pivot Rod
38	19899	Bracket
39	19902	Parking Brake Lever
40	19910	Brace - RH
41	19911	Brace - LH
42	19914	Pump Brace
43	19919	Mount
44	19920	Cover
45	19923	Pump Control Cable
46	19972	Clutch
47*	19984	Oil Tank Side

Ref.	p/n	Description
48	19988	Filter
49	1C0540	Cap Screw
50	1C0616	Cap Screw
51	1C0616	Cap Screw
52	1C0620	Cap Screw
53	1C0624	Cap Screw
54	1C0632	Cap Screw
55*	20000	Bushing
56	20006	Steering Support
57*	20007	Bushing
58	20012	Steering Stop
59	20090	Thrust Washer
60	20094	Bushing
61	20098	Washer
62	20101	Anti-Rotation Bracket
63*	20108	Lower Belt Guard
64*	20109	Cable Clamp
65	20111	Bracket
66	20115	Mount
67	20349	Pully
68	20353	Skidplate
69	20359	Brake Pivot Rod - Short
70	20352	Riser Plate
71*	25E17	Washer
72	25E18	Washer
73	25G0832	Socket Head Cap Screw
74	59D04	Nut
75	59D05	Nut
76	61D05	Nut
77	61D08	Nut
78	73G0512	Socket Head Cap Screw
79	73G0516	Socket Head Cap Screw
80*	SS1C0516	Cap Screw
81*	SS1C0516	Cap Screw
82	SS1C0520	Cap Screw
83*	SS1C0540	Cap Screw
84*	SS1C0616	Cap Screw
85	SS1C0632	Cap Screw
86	SS25E13	Washer
87*	SS25E15	Washer
88	SS25E16	Washer
89*	SS25E17	Washer
90	SS25E18	Washer
91*	SS59D05	Nut
92*	SS59D06	Nut
93	SS84G2508	Screw
94	SS8D06	Jam Nut

* Not Illustrated

STEERING/ CONTROLS

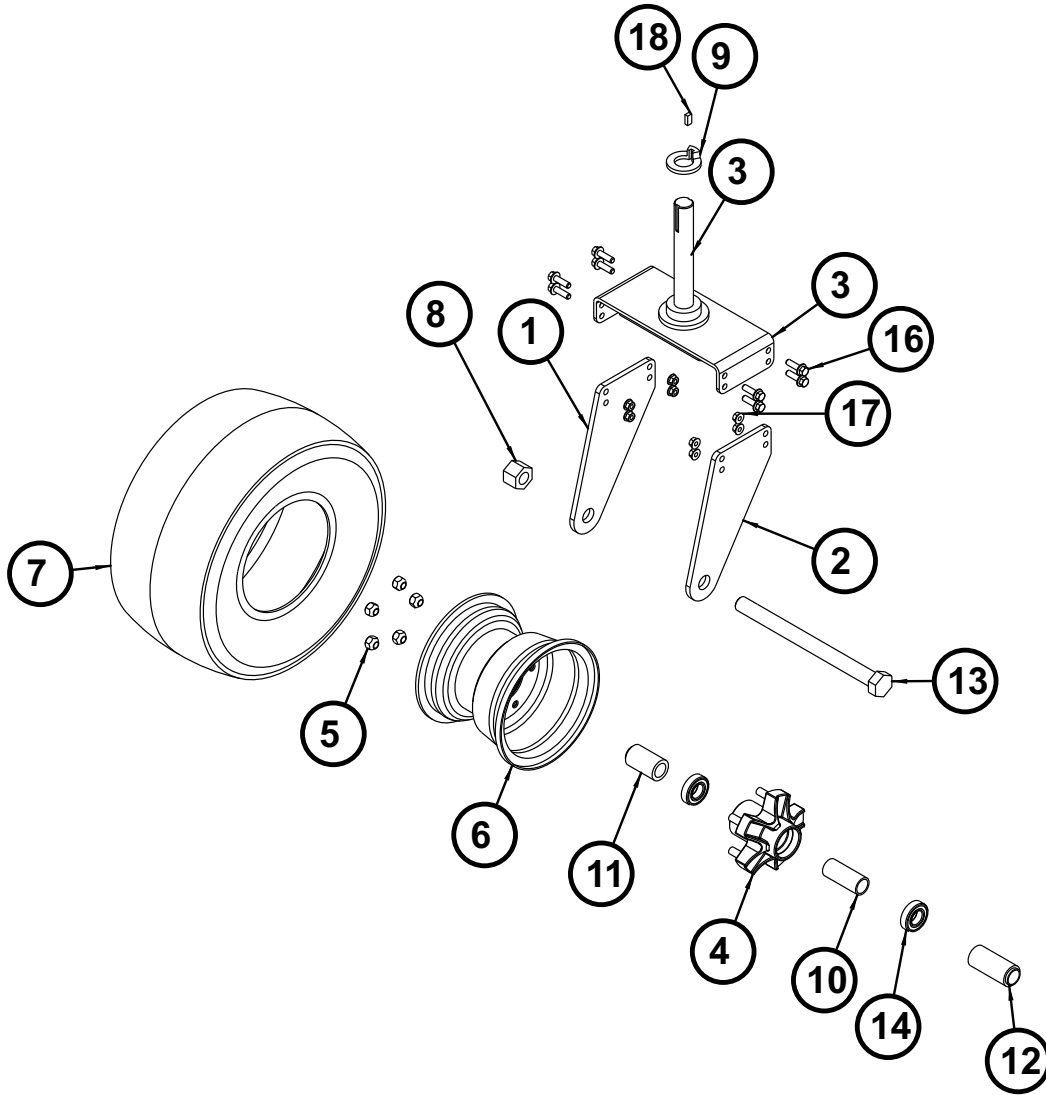


Ref.	p/n	Description
1	11621	Bracket
2*	12D04	Nut
3*	18461-1	Engine Mount
4	18486	Frame
5*	18521	Pivot Shaft
6*	18794	Pump Mount
7*	18795	Front Pump Mount
8	19426	Handle
9*	19561	Topcaster Plate
10*	19562	Side Plate
11*	19563	Side Plate
12*	19571	Bushing
13*	19581	Hub
14	19610	Detent
15*	19616	Frame
16*	19632	Steering Plate Brace
17*	19639	Wheel
18	19640	Tire
19	19902	Parking Brake
20	19917	Bracket
21*	19918	Mounting Plate
22	19920	Cover
23	20000	Bearing
24*	20002	Support Plate
25*	20004	Pivot Stop
26	20007	Steering Bushing
27	20012	Steering Stop

Ref.	p/n	Description
28*	20017	Bearing Cup Mount
29	20023	Lever Stop
30	20074	Pivot
31	20087	Control Handle
32	20089	Plate
33	20090	Thrust Washer
34*	20091	Plate
35	20111	Bracket
36	20136	Spring
37	20138	Spring Retainer
38*	20290	Axle Bolt
39*	20293	Bearing
40	20310	Microswitch
41	20318	Control
42	20379	Clamp
43*	22G1016	Socket Head Cap Screw
44*	35C0620	Flange Head Screw
45*	55D06	Flange Nut
46	73G0512	Socket Head Cap Screw
47	73G0516	Socket Head Cap Screw
48*	8J4012	Key
49	SS1C0412	Cap Screw
50	SS1C0416	Cap Screw
51	SS1C0516	Cap Screw
52	SS22G808SS	Socket Head Cap Screw
53*	SS25E15	Washer
54	SS25E16	Washer
55	SS59D04	Nut
56	SS59D05	Nut
57	SS84G2508	Screw

* Not Illustrated

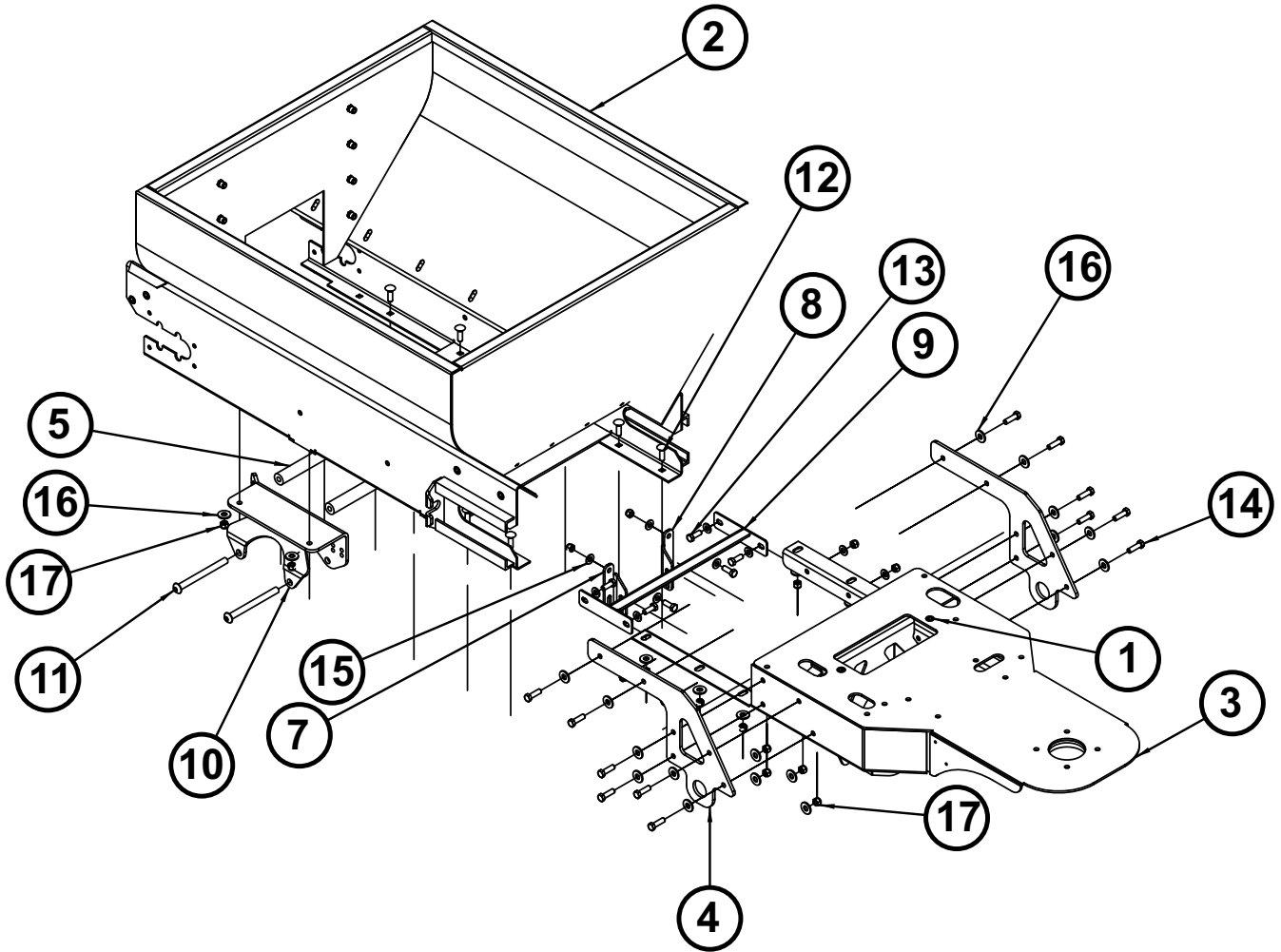
FRONT AXLE



Ref.	p/n	Description
1	19562	Side Plate
2	19563	Side Plate
3	19565	Caster Wheel Pivot
4	19581	Hub
5	19599	Lugnut
6	19639	Wheel
7	19640	Tire
8	19658	Axle Nut
9	20004	Pivot Stop
10	20287	Spacer
11	20288	Spacer
12	20289	Spacer
13	20290	Axle Bolt
14	20293	Bearing
15*	20320	Tube
16	35C0620	Flange Head Screw
17	55D06	Flange Nut
18	8J4012	Key

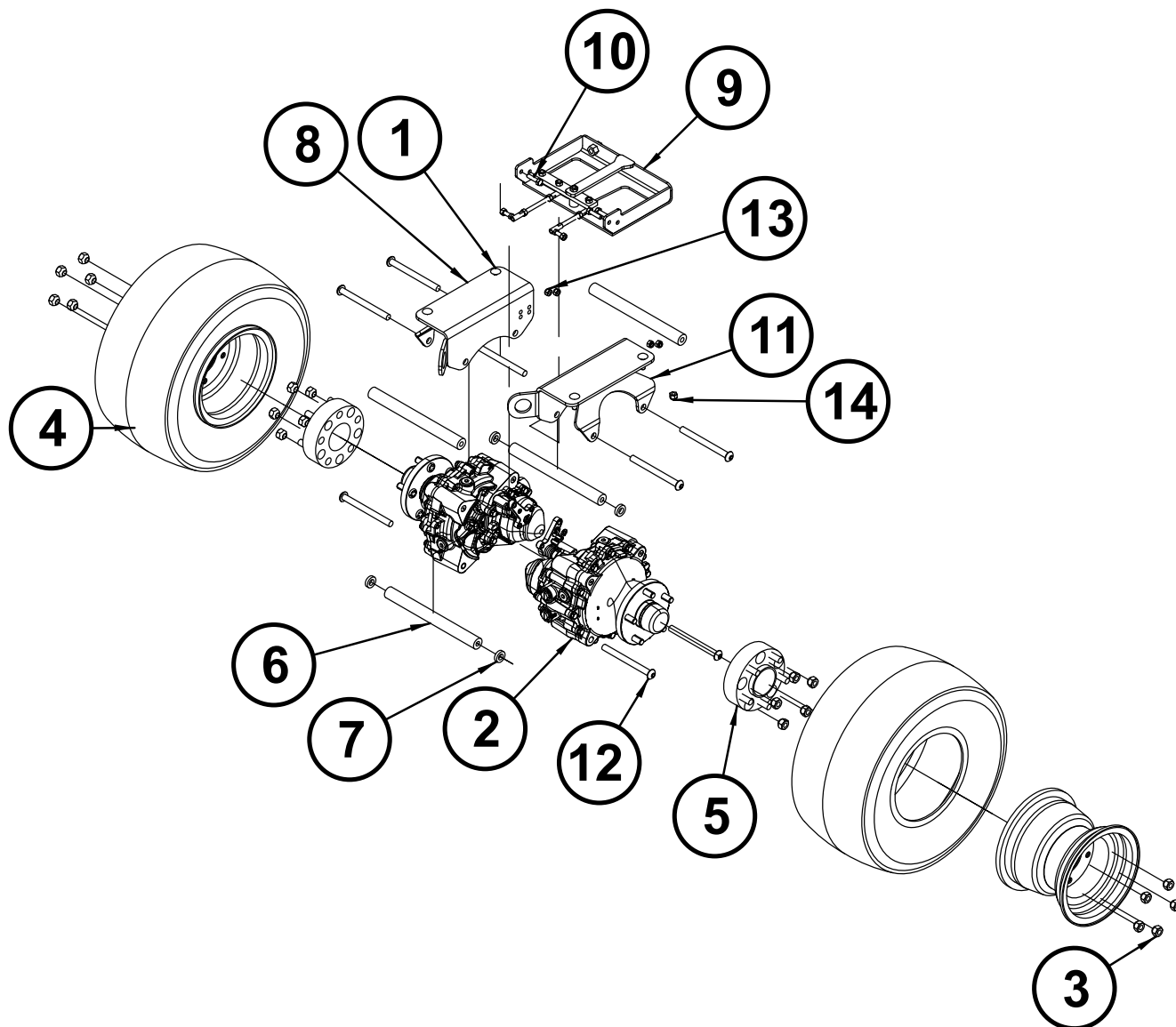
* not illustrated

FRAME



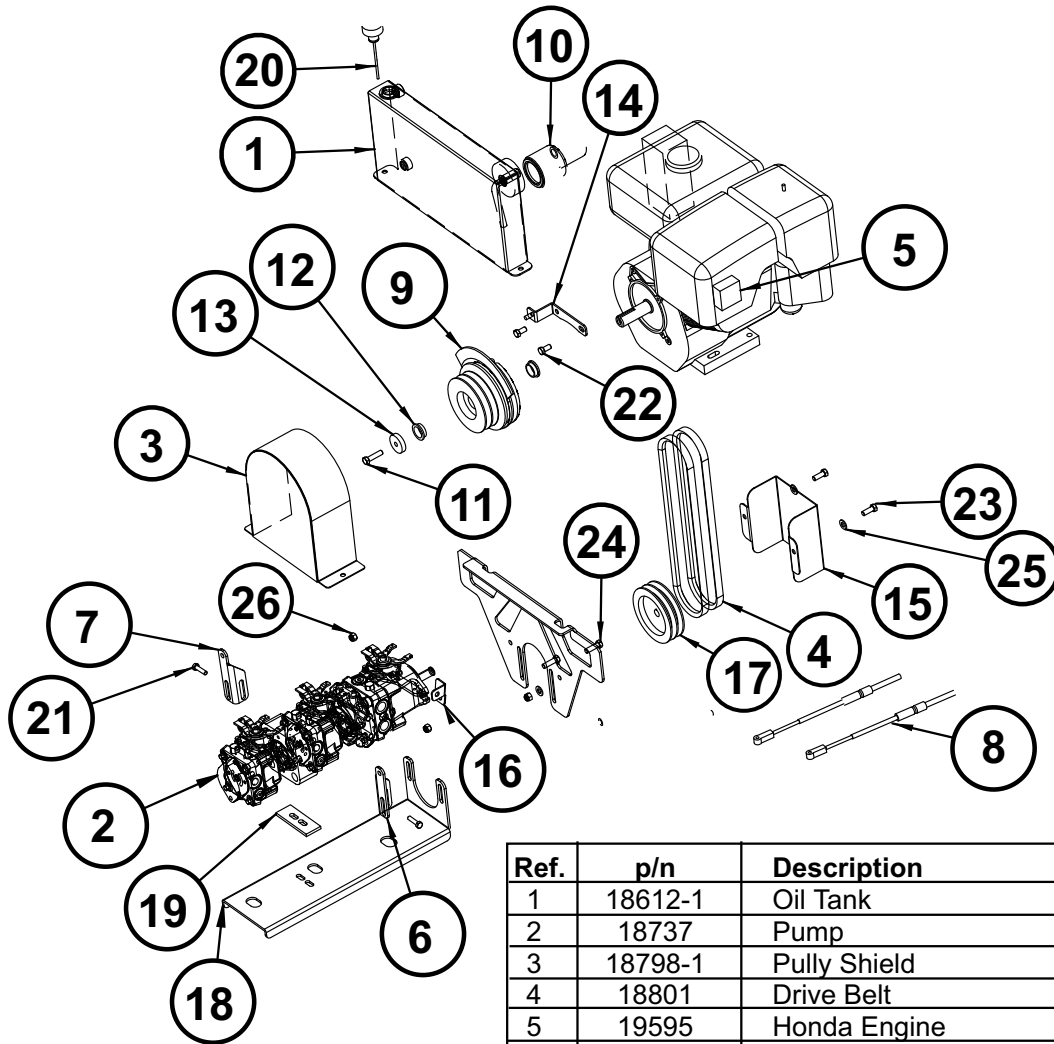
Ref.	p/n	Description
1	16724	Rivnut
2	18431	Hopper
3	18484	Frame
4	19628	Brace
5	19684	Tie Rod Tube
6	19688	Mount
7	19910	Bracket - RH
8	19911	Bracket - LH
9	19914	Pump Brace
10	20115	Mount
11	25G0832	Socket-Head Screw
12	SS10C062	Carriage Bolt
13	SS1C0616	Cap Screw
14	SS1C0620	Cap Screw
15	SS25E17	Washer
16	SS25E18	Washer
17	SS59D06	Nut

REAR AXLE



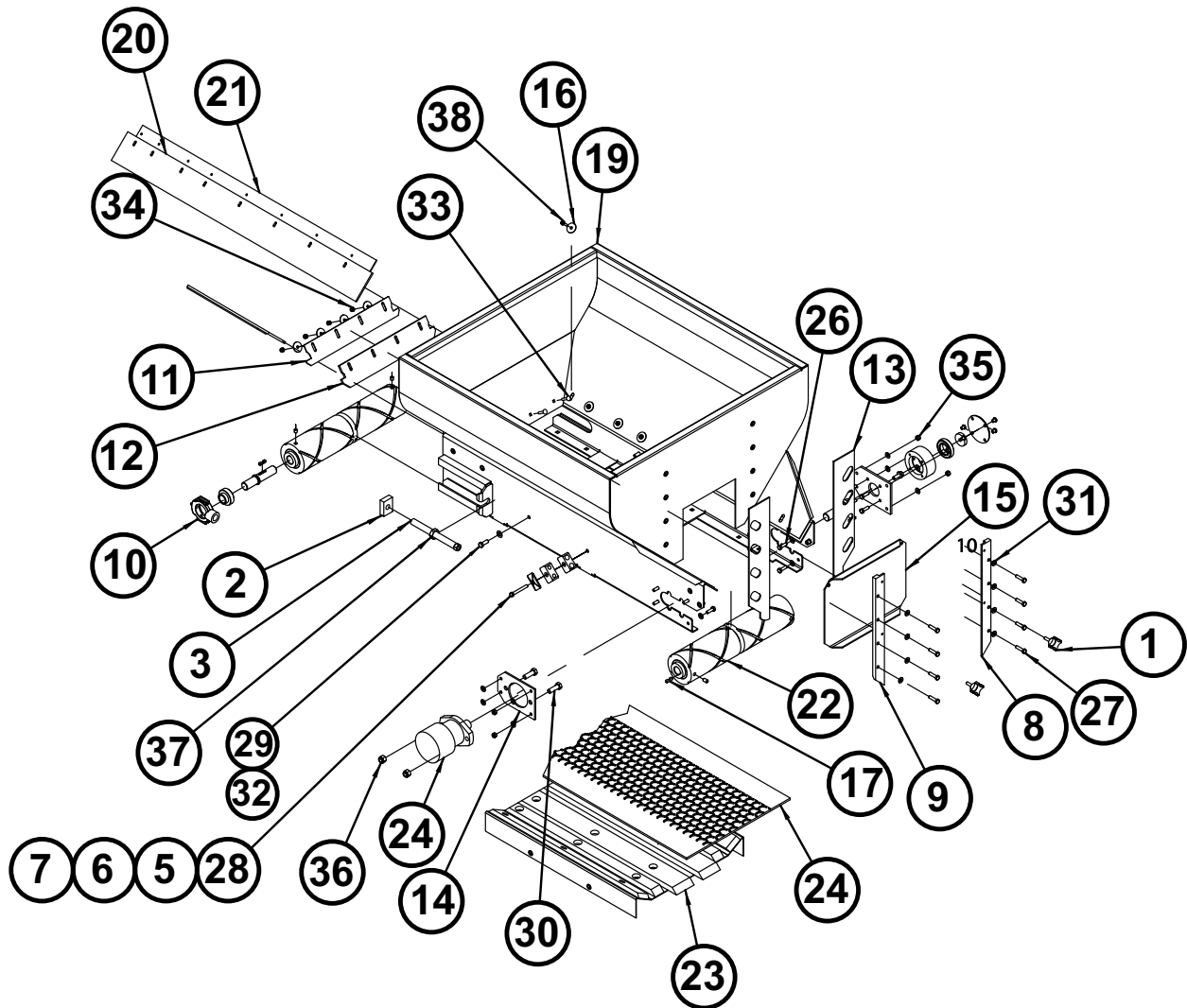
Ref.	p/n	Description
1	10C0620	Carriage Bolt
2	18736	Drive
3	19599	Lug Nut
4	19641	Wheel And Tire
5	19680	Hub
6	19684	Tie Rod Tube
7	19685	Spacer
8	19688	Mount
9	19698	Pivot Holder
10	1C0528	Cap Screw
11	20115	Mount
12	25G0832	Socket-Head Cap Screw
13	59D05	Nut
14	59D06	Nut

VALVE AND PUMP



Ref.	p/n	Description
1	18612-1	Oil Tank
2	18737	Pump
3	18798-1	Pully Shield
4	18801	Drive Belt
5	19595	Honda Engine
6	19910	Pump Brace Bracket - RH
7	19911	Pump Brace Bracket - LH
8	19923	Pump Control Cable
9	19972	Clutch
10	19988	Filter
11	1C0624	Bolt
12	20094	Bushing
13	20098	Washer
14	20101	Anti-Rotation Bracket
15	20108	Lower Belt Guard
16	20111	Cable Mounting Bracket
17	20349	Pully
18	20351	Skid Plate
19	20352	Riser Plate
20	20374	Cap w/Dipstick
21	SS1C0520	Cap Screw
22	SS1C0612	Cap Screw
23	SS1C0616	Cap Screw
24	SS1C0620	Cap Screw
25	SS25E17	Washer
26	SS59D06	Nut

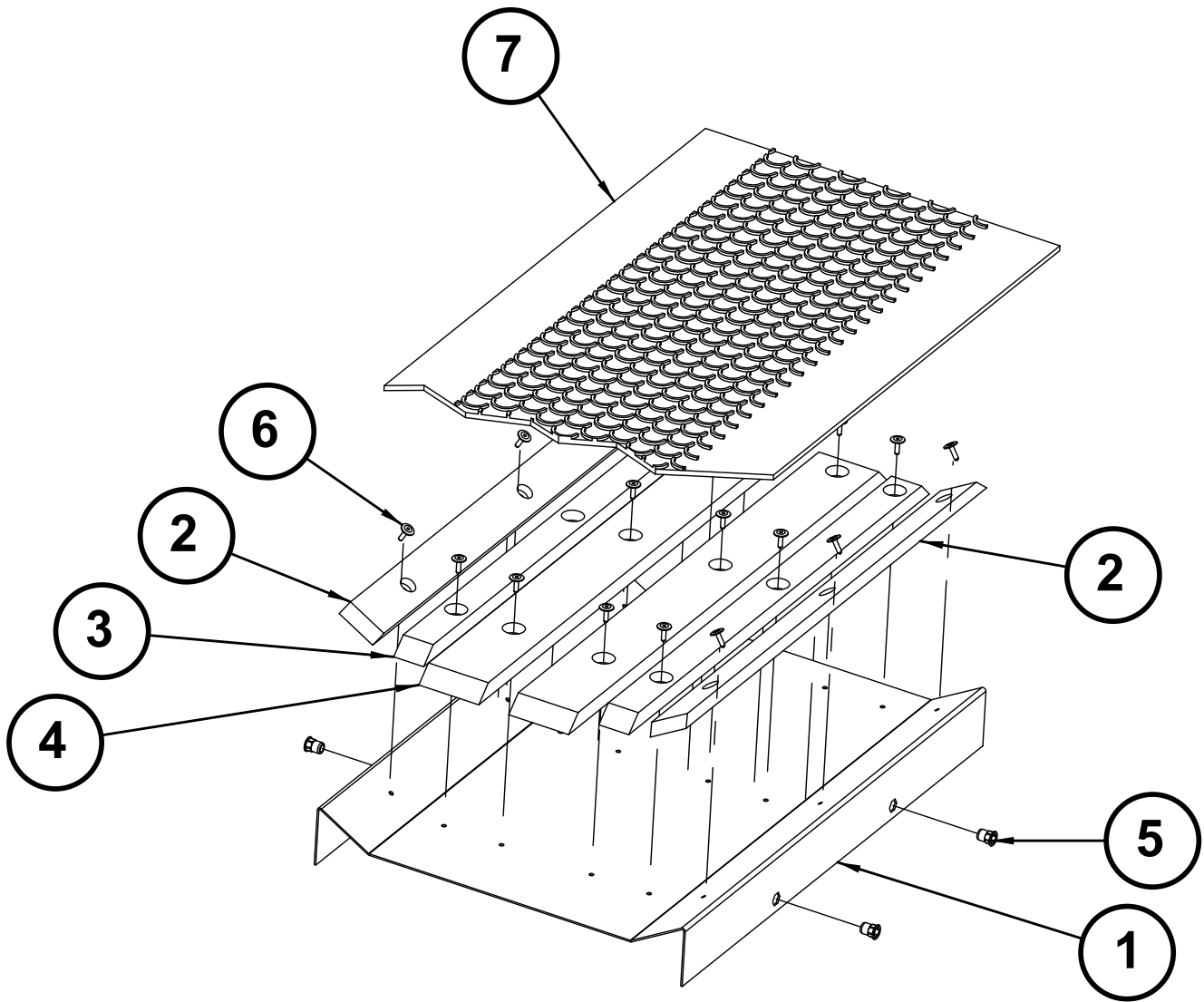
HOPPER



Ref.	p/n	Description
1	10012	Knob
2	10015	Nut
3	10211	Stud
4	10212	Nut
5	12573	Clamp
6	12574	Clamp
7	12574	Clamp
8	13367	Door Track - RH
9	13368	Door Track - LH
10	13414	Front Roller Assy
11	13478	Seal
12	13479	Seal
13	13553	Seal
14	13769	Motor Mount
15	14469	Door
16	14792	Fender Washer
17	16627	Key
18	16724	Rivnut
19	18432	Hopper

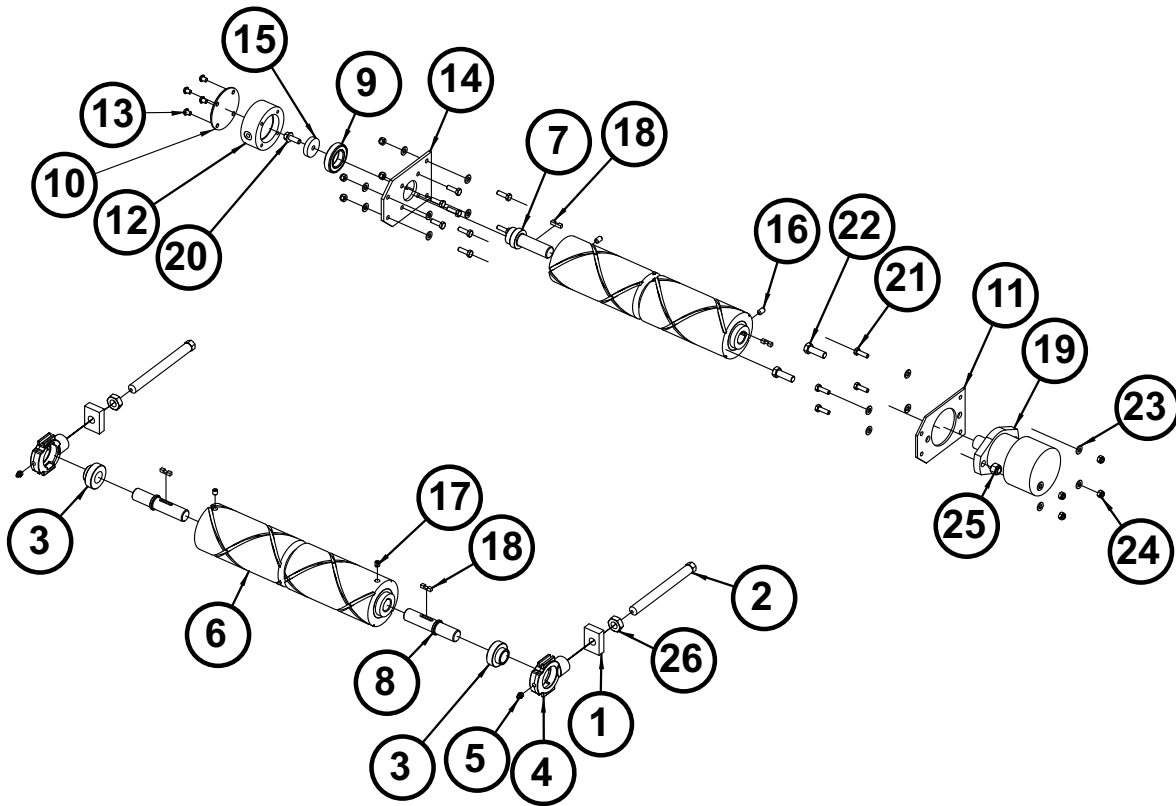
Ref.	p/n	Description
20	18438	Wiper
21	18441	Wiper Retainer
22	18442	Rear Roller Assy
23	18443	Pan Assy
24	19451	Motor
25	19593	Belt
26	SS1C0516	Cap Screw
27	SS1C0520	Cap Screw
28	SS1C0540	Cap Screw
29	SS1C0616	Cap Screw
30	SS1C0824	Cap Screw
31	SS25E15	Washer
32	SS25E17	Washer
33	SS37C420	Carriage Bolt
34	SS59D04	Nut
35	SS59D05	Nut
36	SS59D08	Nut
37	SS7D12	Jam Nut
38	SS84G2516	Screw

PAN AND BELT



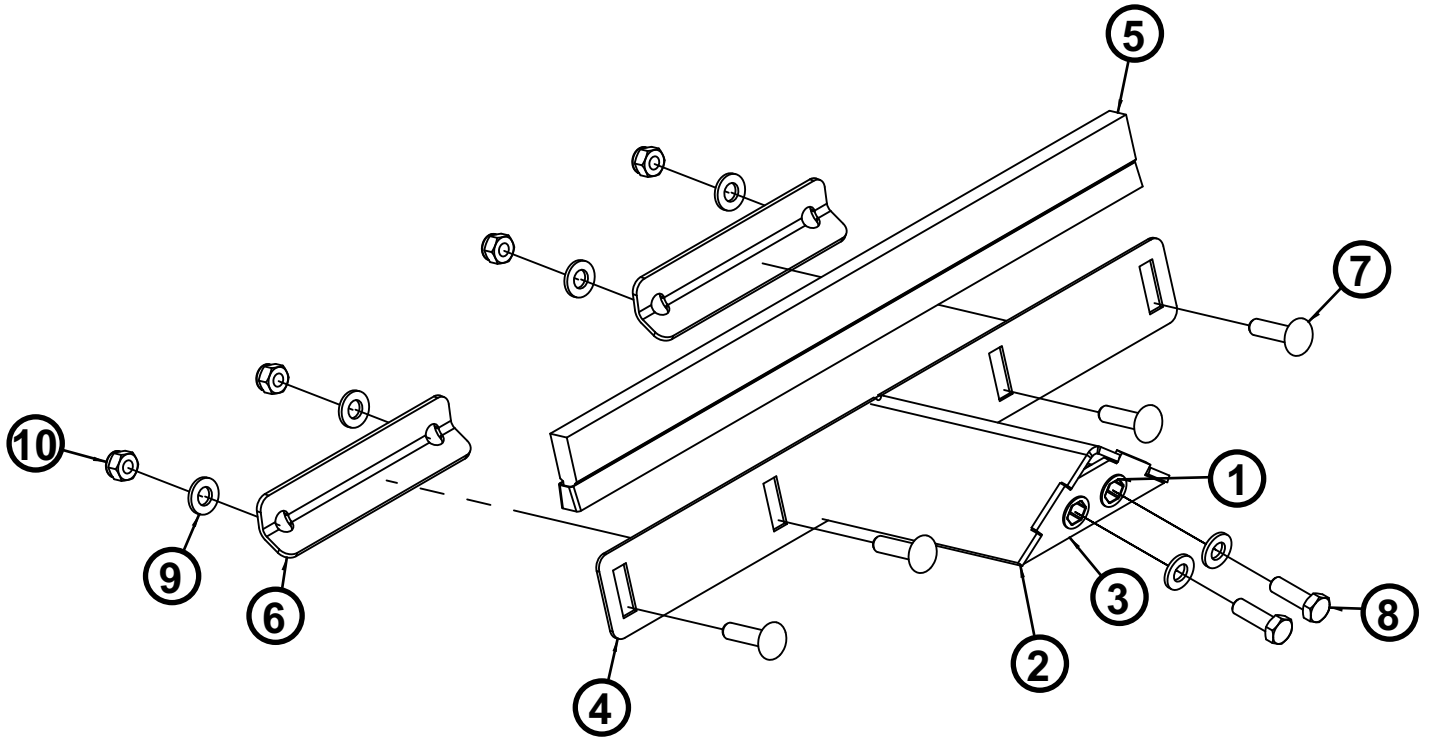
Ref.	p/n	Description
1	18445	Pan
2	18444	Side Belt Support
3	18791	Belt Support
4	18792	Belt Support
5	16724	Rivnut
6	10289	Pop Rivet
7	19593	Belt

ROLLERS



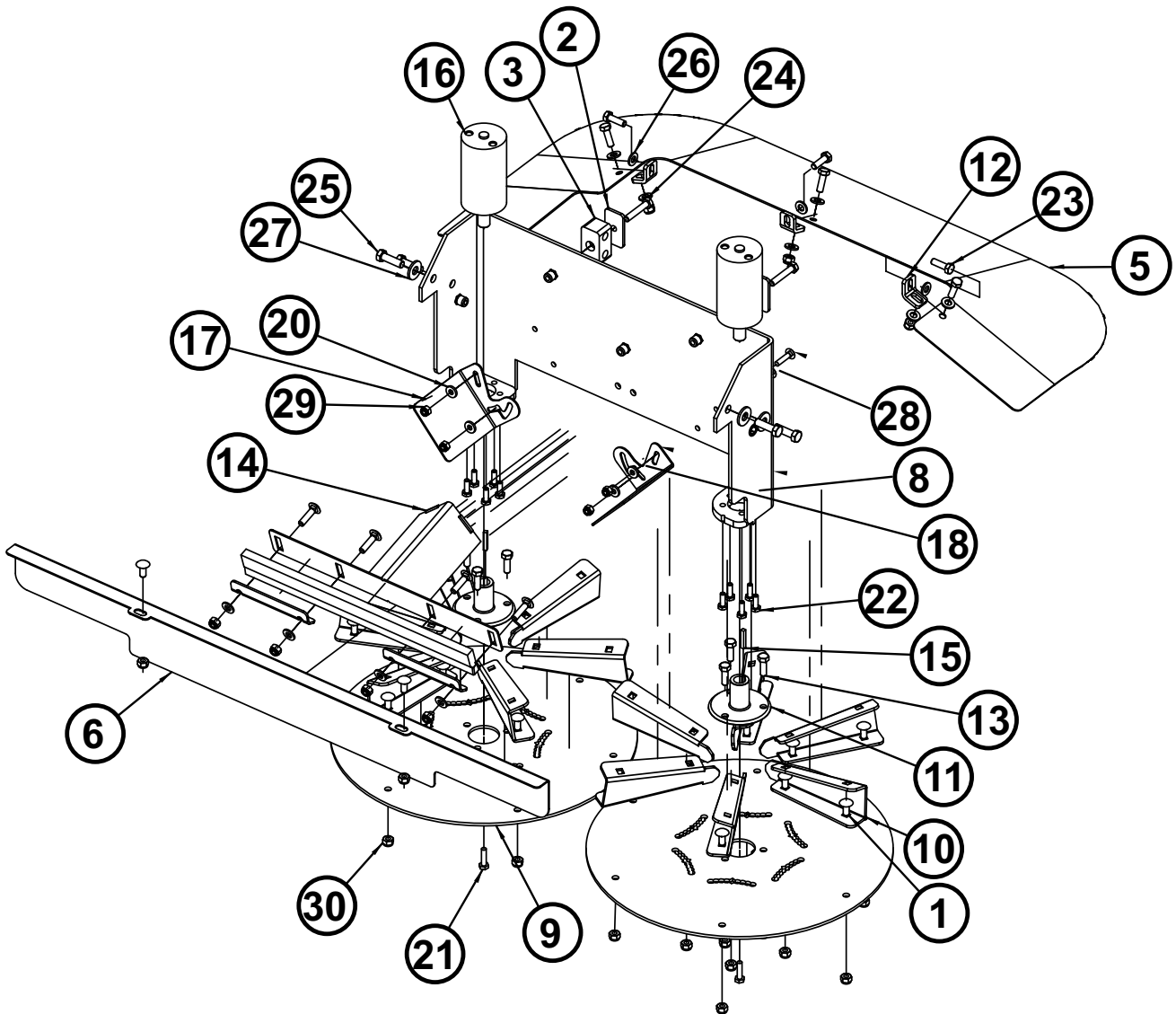
Ref.	p/n	Description
1	10015	Nut
2	10016	Adjustment Screw
3	10034	Bearing
4	10292	Housing
5	10H25	Grease Fitting
6	13211	Roller
7	13212	Rear Roller Insert
8	13213	Front Roller Insert
9	13255	Bearing
10	13706	Cover
11	13769	Motor Mount
12	13887	Cup
13	14097	Screw
14	15708	Plate
15	15854	Spacer
16	15G0610	Set Screw
17	15G606	Set Screw
18	16627	Key
19	19451	Motor
20	35C0616	Flange Head Screw
21	SS1C0516	Cap Screw
22	SS1C0824	Cap Screw
23	SS25E15	Washer
24	SS59D05	Nut
25	SS59D08	Nut
26	SS7D12	Nut

REAR WIPER



Ref.	p/n	Description
1	16724	Rivnut
2	19626	Flow Divider
3	20116	Plate
4	20277	Brush Holder
5	20278	Brush
6	20279	Clamp
7	SS10C0520	Carriage Bolt
8	SS1C0516	Cap Screw
9	SS25E15	Washer
10	SS59D05	Nut

SPINNERS



Ref.	p/n	Description
1	10C0512	Carriage Bolt
2	12573	Clamp
3	12574	Clamp
4	16985	Rivnut
5	18481	Spreader Skirt
6	19606	Deflector
7	19624	Motor Mount
8	19627-5	Spinner Chute
9	19630	Disk
10	19631-2	Spinner Blade
11	19634	Hub
12	19635	Brace
13	1C0516	Cap Screw
14	20117	Flow Divider
15	20118	Key

Ref.	p/n	Description
16	20133	Motor
17	20139	Deflector - RH
18	20140	Deflector - LH
19	20141	Strap
20	Ss Something	Master.par
21	SS18C416	Cap Screw
22	SS1C0412	Cap Screw
23	SS1C0516	Cap Screw
24	SS1C0528	Cap Screw
25	SS1C0620	Cap Screw
26	SS25E15	Washer
27	SS25E18	Washer
28	SS37D0416	Carriage Bolt
29	SS59D04	Nut
30	SS59D05	Nut

ELECTRICAL SCHEMATIC

